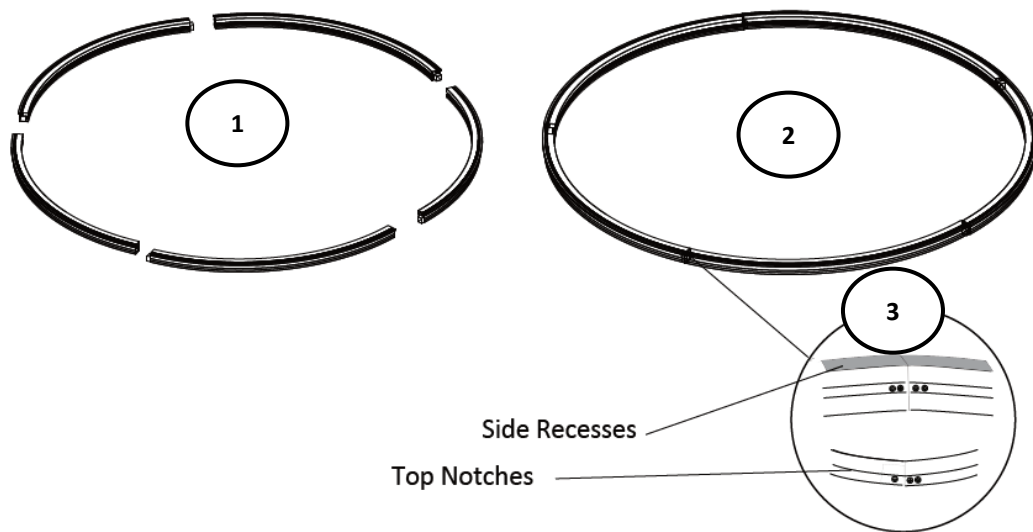


## Astra Domes – Installation Guide – English Version

### Step 1: Assemble the Bottom Ring

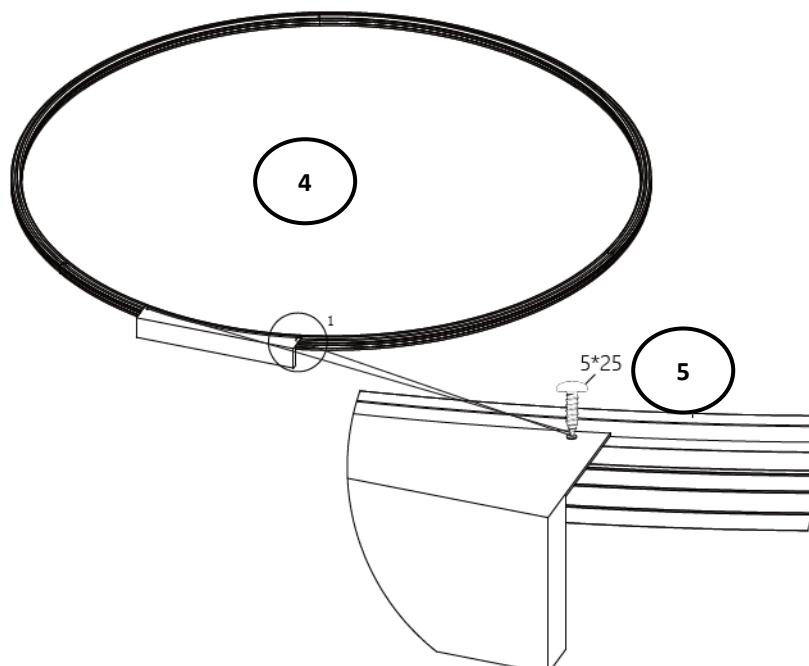
Arrange the Individual Bottom Pieces into a Circle. Fix and combine them together using  $5\text{mm} \times 19\text{mm}$  self-tapping nails in the top notches and on the side recesses

*Note: If you choose to install flooring e.g. StoneFloor, use the assembled bottom ring as a cut out for the flooring before proceeding.*



### Step 2: Install the Stainless-Steel Base Plate

Place the stainless-steel base plate against the door and fix it with  $5\text{mm} \times 25\text{mm}$  self-tapping nails on both sides.

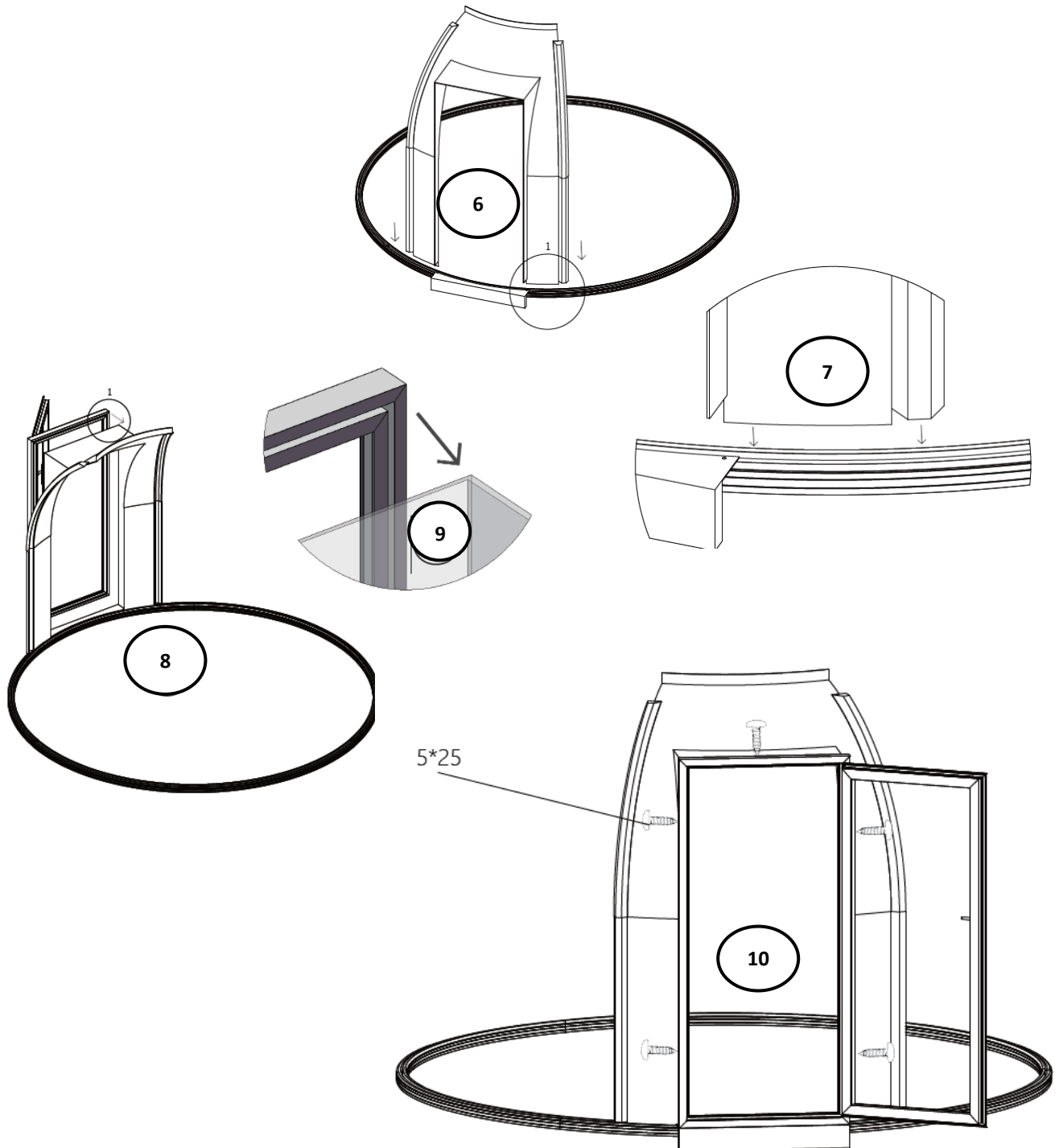




### Step 3: Install the Polycarbonate Door Flap and Door Frame

Carefully place the Polycarbonate Door Flap horizontally above the stainless-steel base plate. Then position and snap the door frame into the grooves on the left and right sides of the door. Secure using 5mm x 25mm self-tapping nails.

*Note: Make sure to remove the layer of protective film on all the polycarbonate pieces*

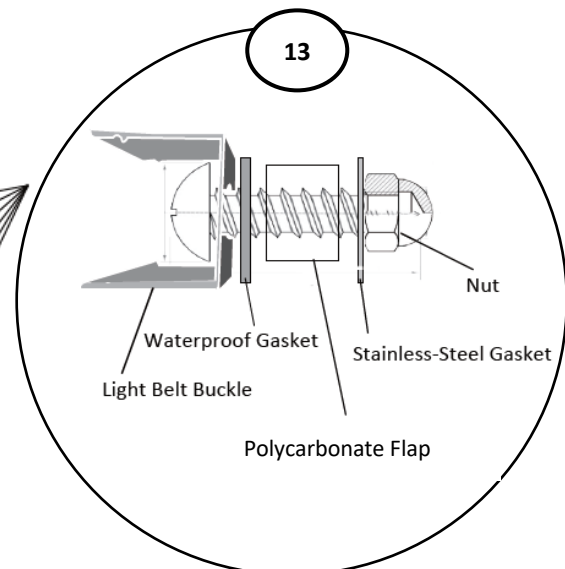
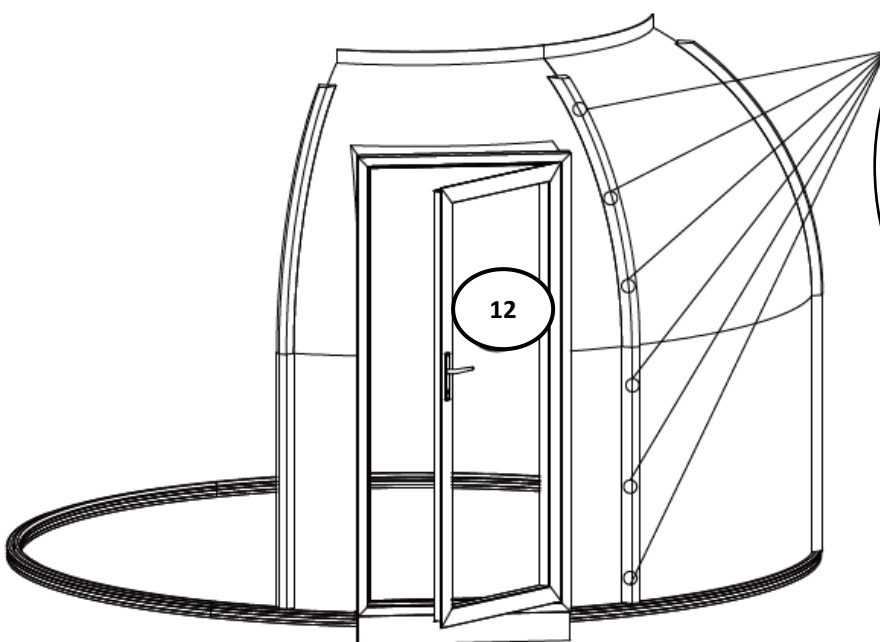
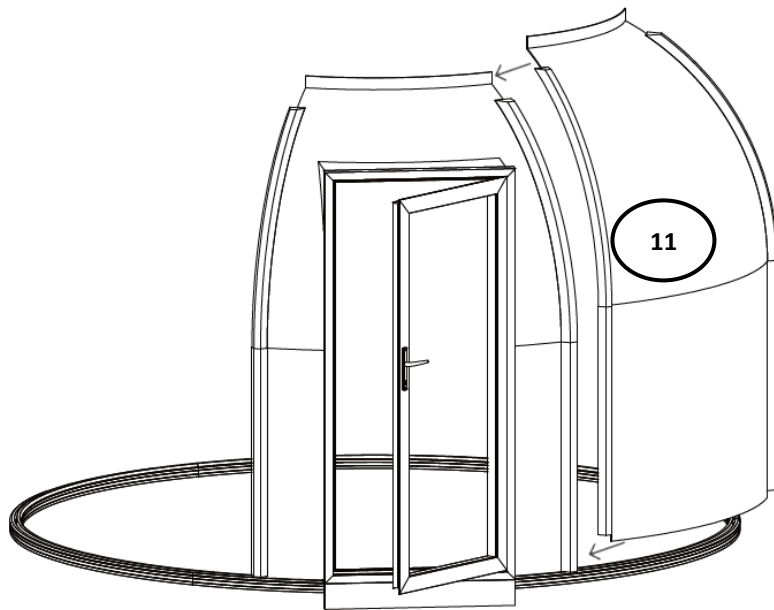


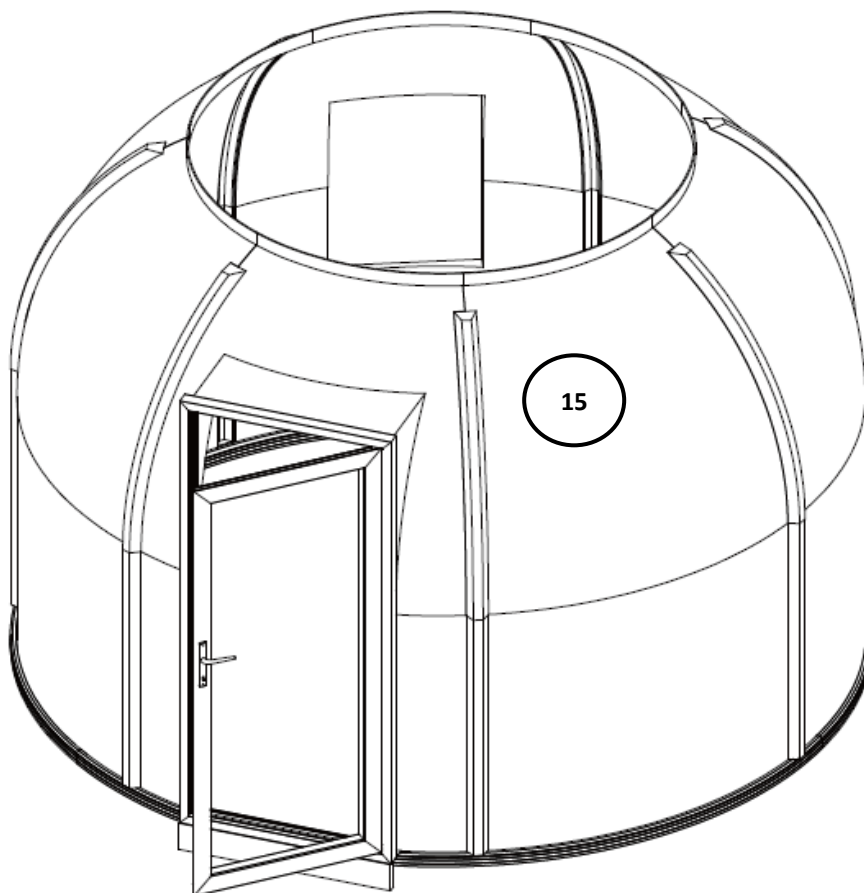
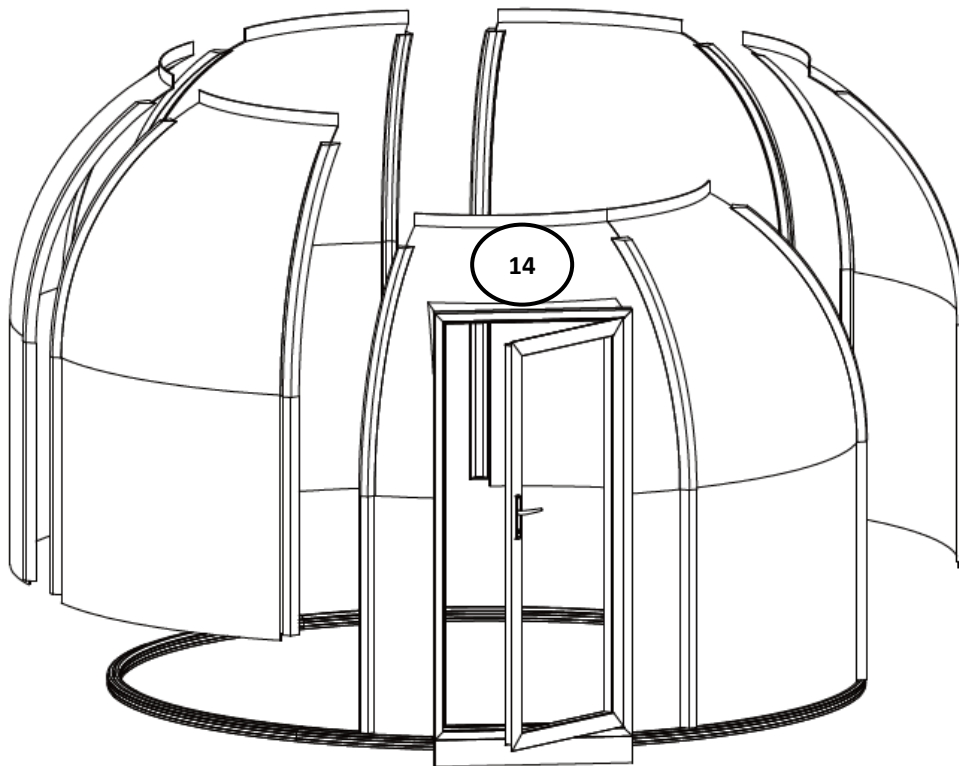


### Step 4: Install and Secure the Remaining Polycarbonate Pieces

Carefully grab a polycarbonate flap and place it horizontally on the stainless-steel base plate adjacent to the door flap. Make sure to place the polycarbonate flap with the *small round hole on the outer side* and *large oval hole on the inner side*. Lock and connect the adjacent pieces using a stainless-steel bolt setup as seen in Image 13. Repeat for the remaining polycarbonate flaps till an oval is formed.

*Note: Make sure to insert all stainless-steel bolt setups into the holes to ensure perfect alignment before tightening*



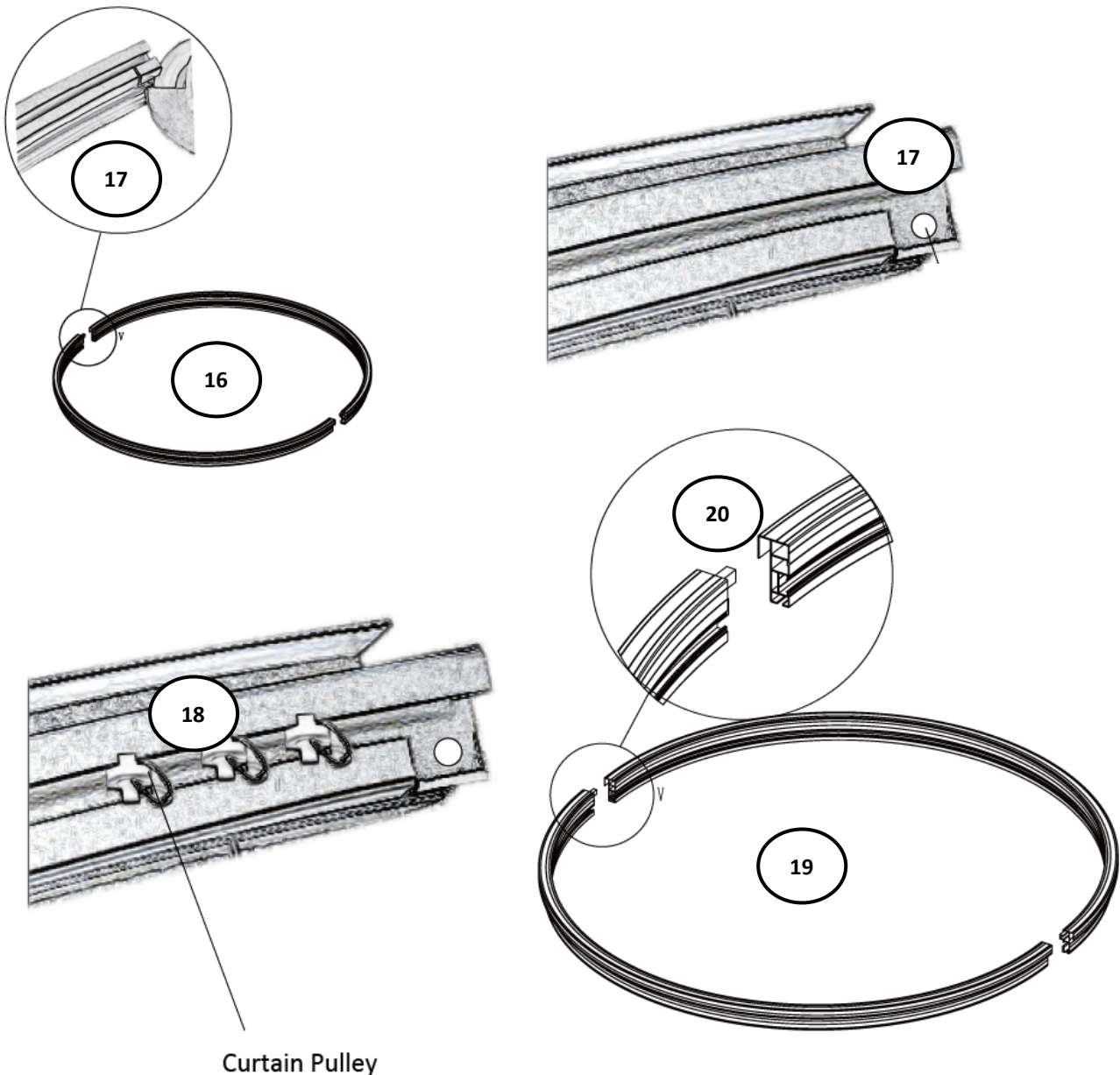


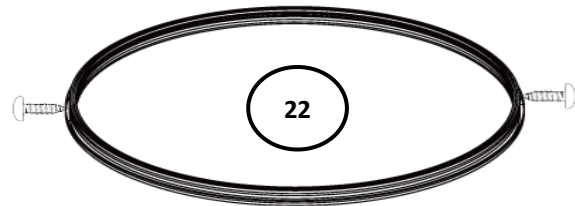
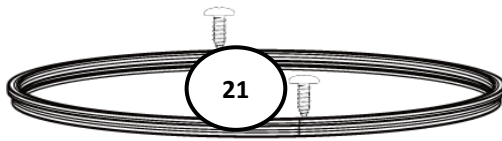


### Step 5: Installing and Mounting the Top Ring and Curtains

Bend and combine the 2 top ring pieces to form a circle. Slide the curtain pulleys into and along the rail. Combine and close of the top ring pieces to form a circle using 5mm x 25mm self-tapping nails. Make sure to put a self-tapping nail on each of the 2 sides of the incision to prevent the pulleys from falling.

*Note: The number of pulleys varies according to the model*

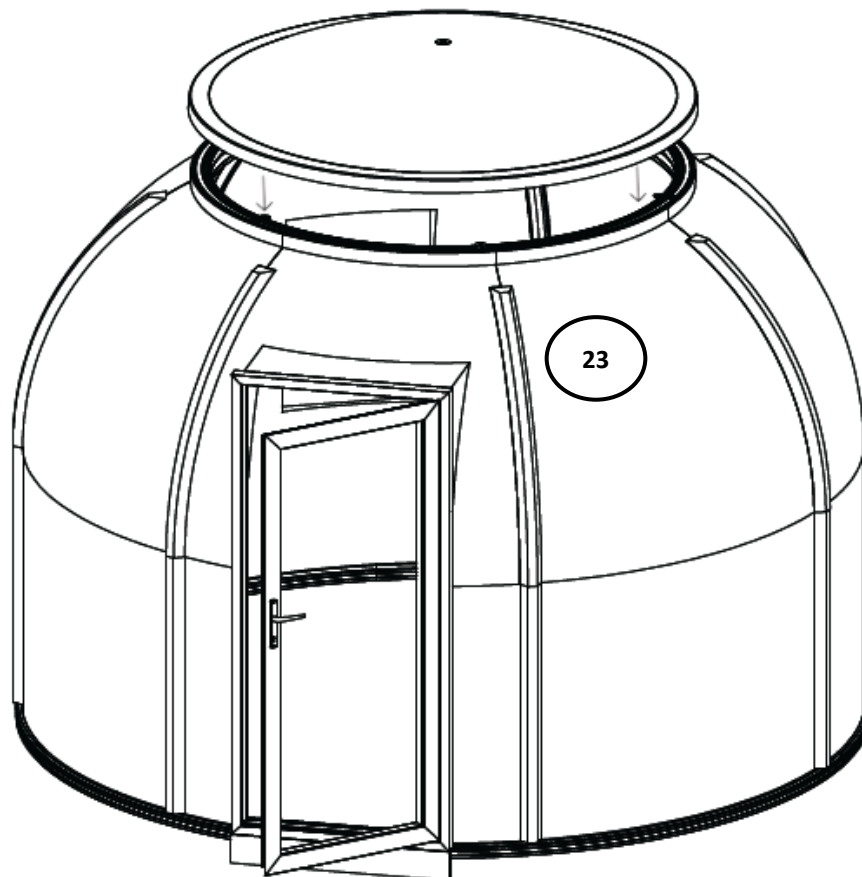




### Step 6: Attach the Polycarbonate Roof

Carefully place the Polycarbonate Roof Piece over the assembled Polycarbonate Oval. Ensure the roof piece is placed on the outside of the individual polycarbonate flap pieces to create a waterproof seal. Rotate the roof all the holes are aligned then secure using a *stainless-steel bolt setup* (stainless steel bolt, waterproof gasket, stainless-steel gasket, and nut)

*Note: If you choose to add on a Ventilation Fan, you must attach and secure it to the polycarbonate roof piece before attaching it to the polycarbonate oval.*





## Step 6: Installing the Windows

Align the window frame at a 45-degree angle onto the polycarbonate flap with a window cut-out. Insert the protective window frame guard into the groove of the outer frame of the window to open the window sash. Then align the protective bottom frame guard.

Use *5mm x 50mm* self-tapping screws from the inside of the window to fix all the protective frames to the window, and then the window panel can be inserted into the window

After inserting the support, apply structural adhesive for waterproofing, and apply structural adhesive to all the gaps of the window to ensure waterproofing.

